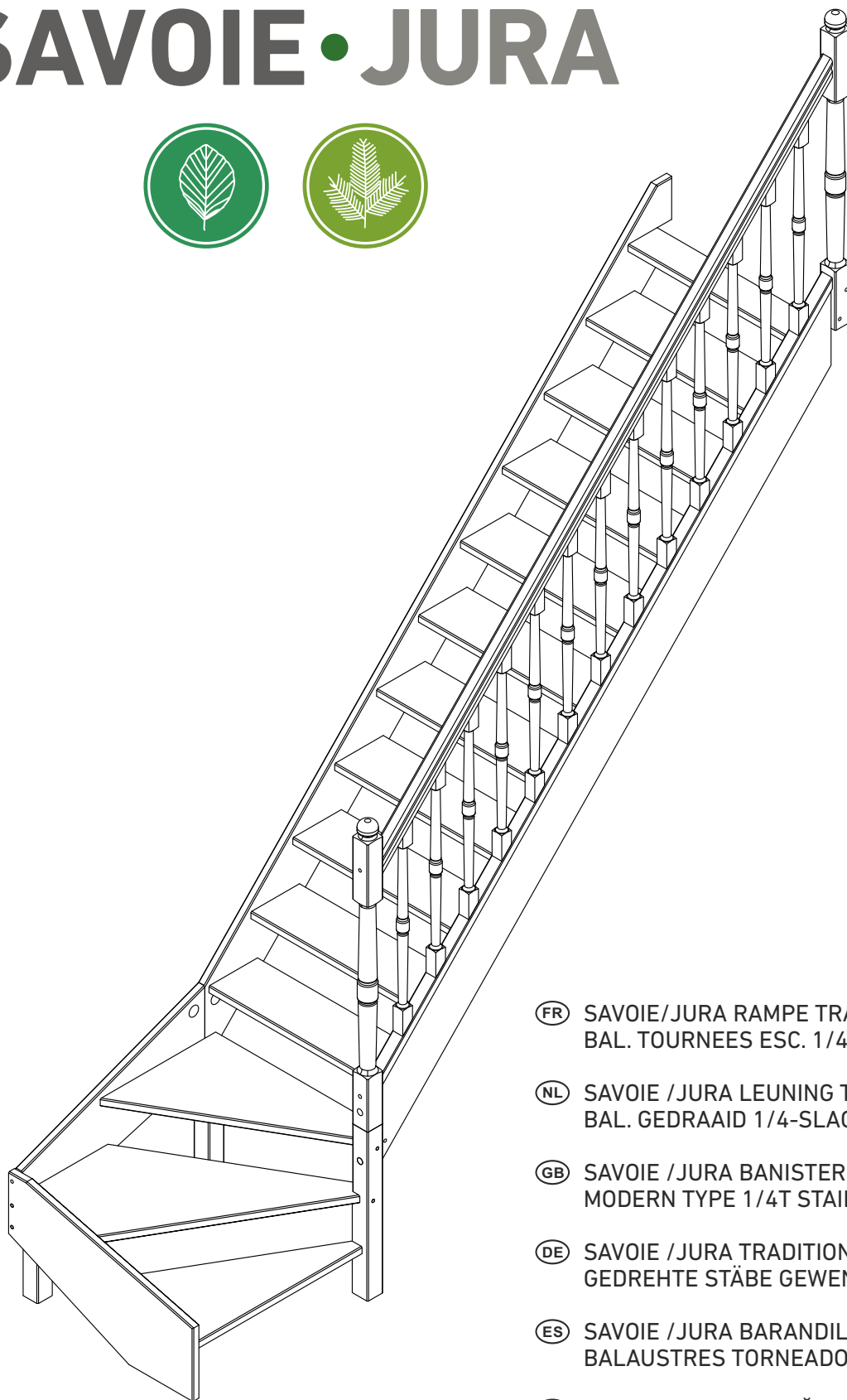


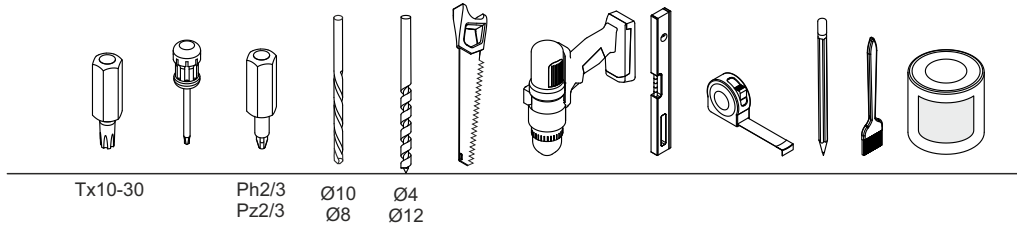


SAVOIE • JURA

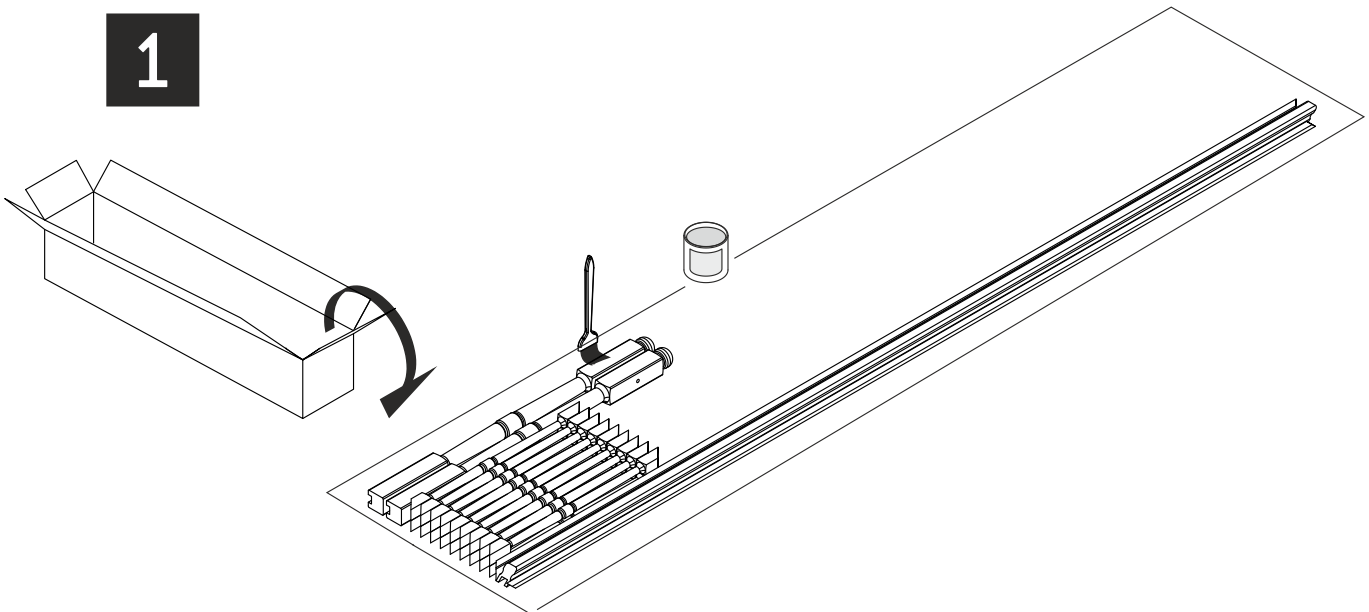


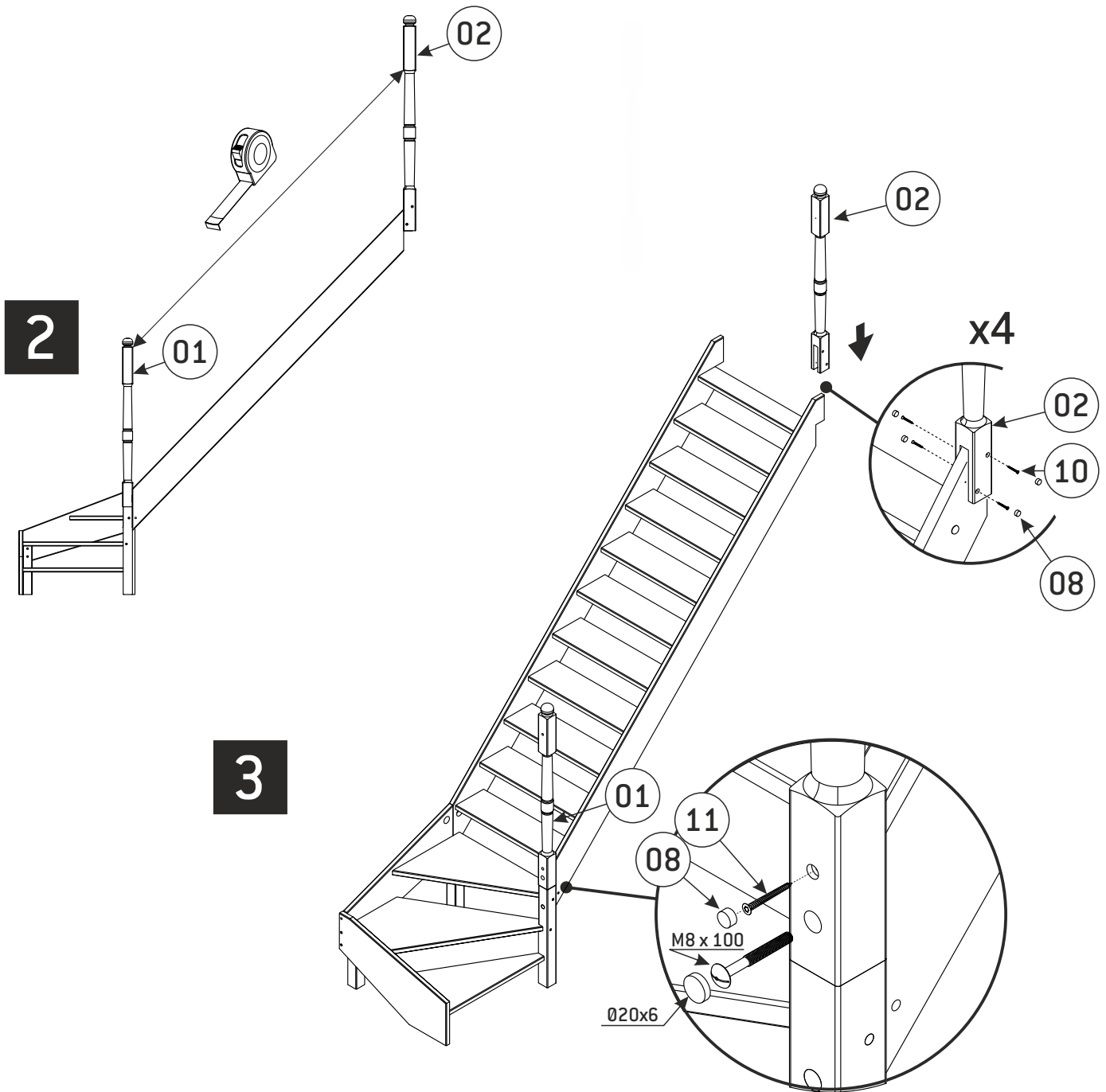
- (FR)** SAVOIE/JURA RAMPE TRADITIONELLE "T"
BAL. TOURNEES ESC. 1/4 TOURNANT
- (NL)** SAVOIE /JURA LEUNING TRADITIONEEL "T"
BAL. GEDRAAID 1/4-SLAG
- (GB)** SAVOIE /JURA BANISTER "T" MOLDED
MODERN TYPE 1/4T STAIRCASE
- (DE)** SAVOIE /JURA TRADITIONELLES GELÄNDER "T"
GEDREHTE STÄBE GEWENDELTE TREPPE
- (ES)** SAVOIE /JURA BARANDILLA TRADICIONAL "T"
BALAUSTRES TORNEADOS ESC. 1/4 DE GIRO
- (RO)** SAVOIE /JURA RAMPĂ "T" STRUNJITĂ
MODEL MODERN PENTRU SCARĂ 1/4T

| | | | | | | | | |
|---------------------------|---------------------------|---------------------------|---------------------------|------------------------|---------------------------|---------------------------------------|-----------------------------|------------------------|
| 01 70x70x1189 mm x1 | 02 70x70x1214 mm x1 | 03 44x44x831 mm x13 | 04 50x50x3150 mm x1 | 05 32x54x3150 x1 | 06 26x16x3150 mm x1 | 07 16x25x168 mm x2 151,77 mm | 09 04x45 mm x3+2 | 11 05x60 mm x3+1 |
| | | | | | | | | |
| | | | | | | 08 012x6 mm x10+2 | 10 04x40 mm x46+2 | |

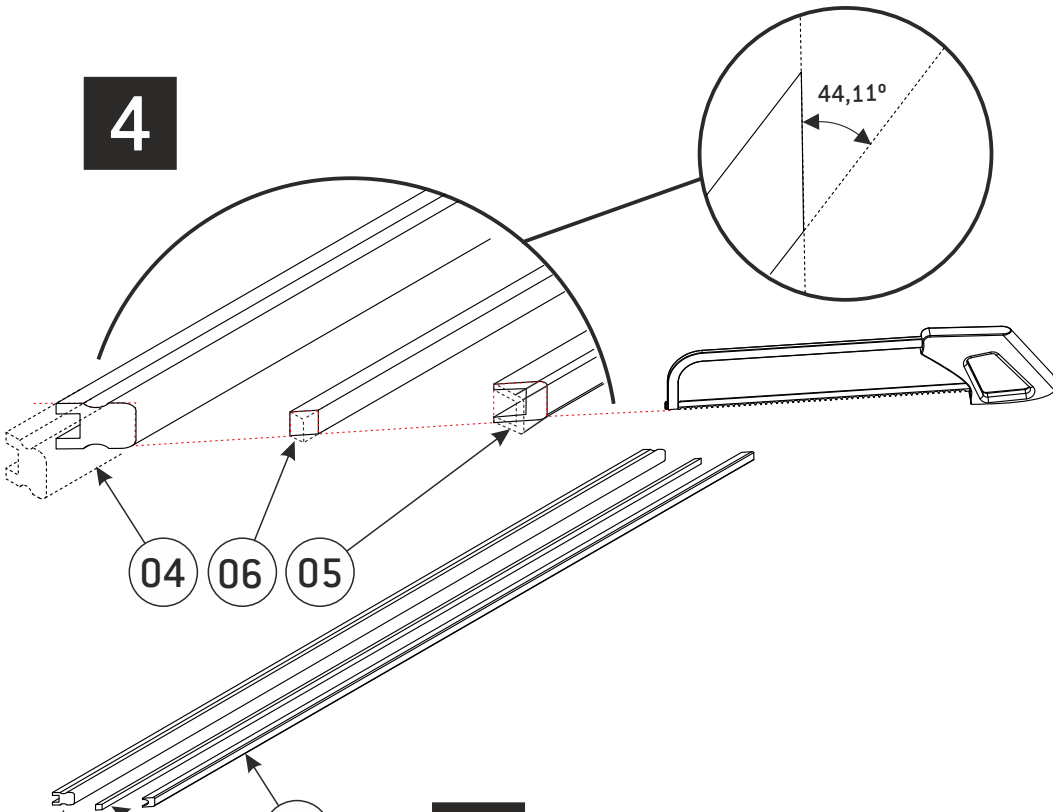


1

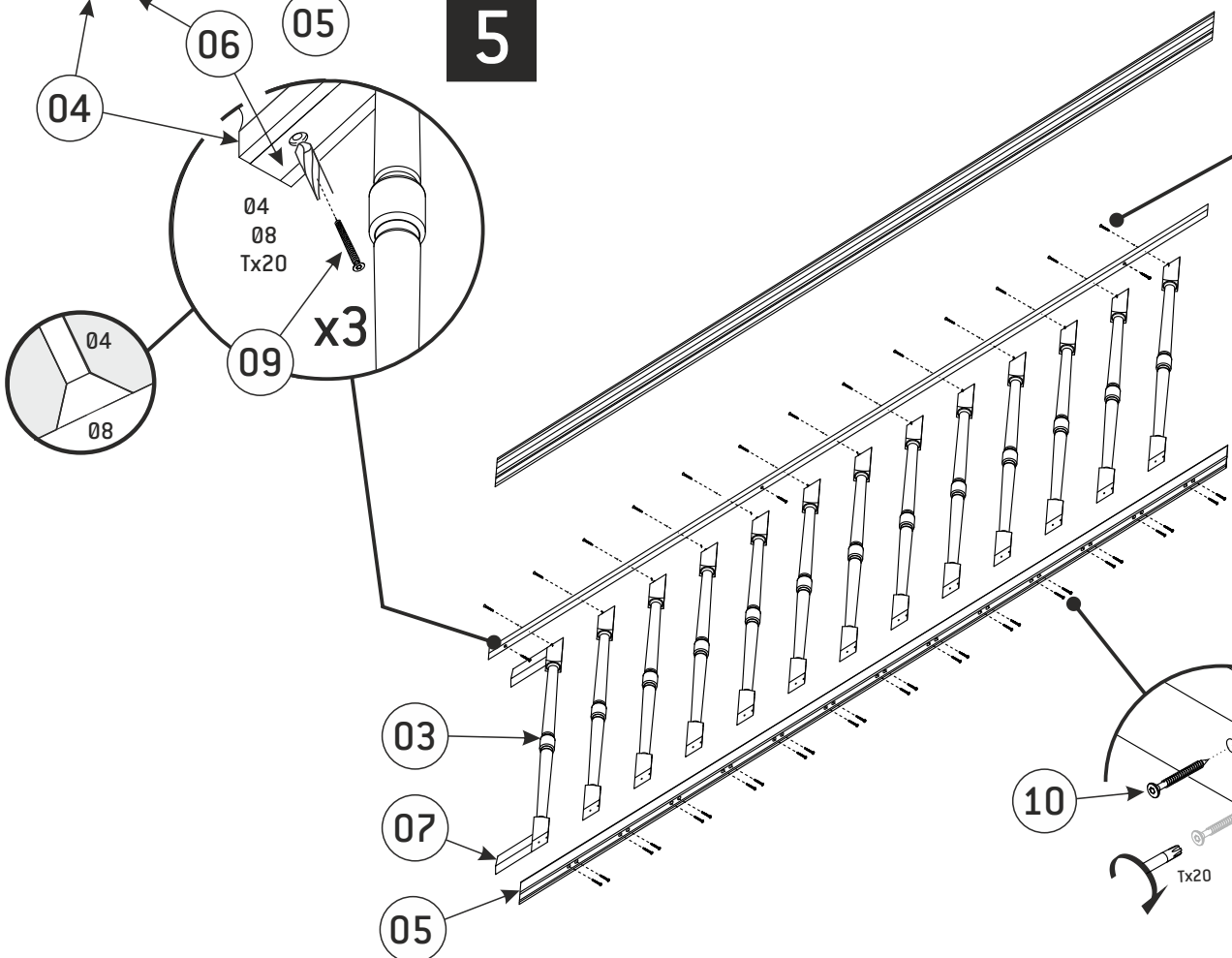




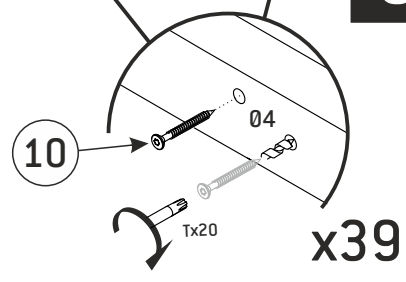
4

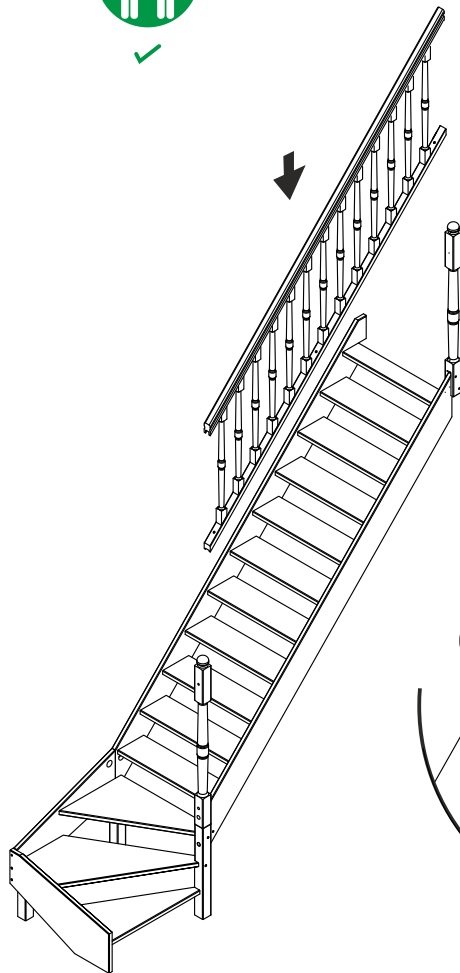


5

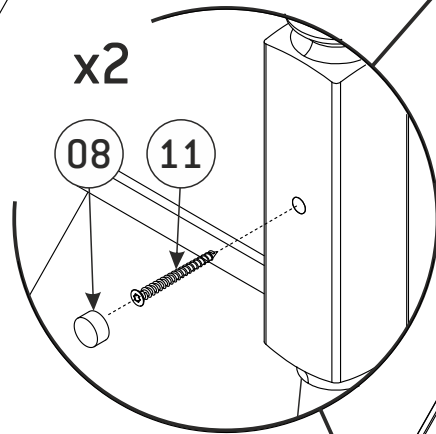


6





6

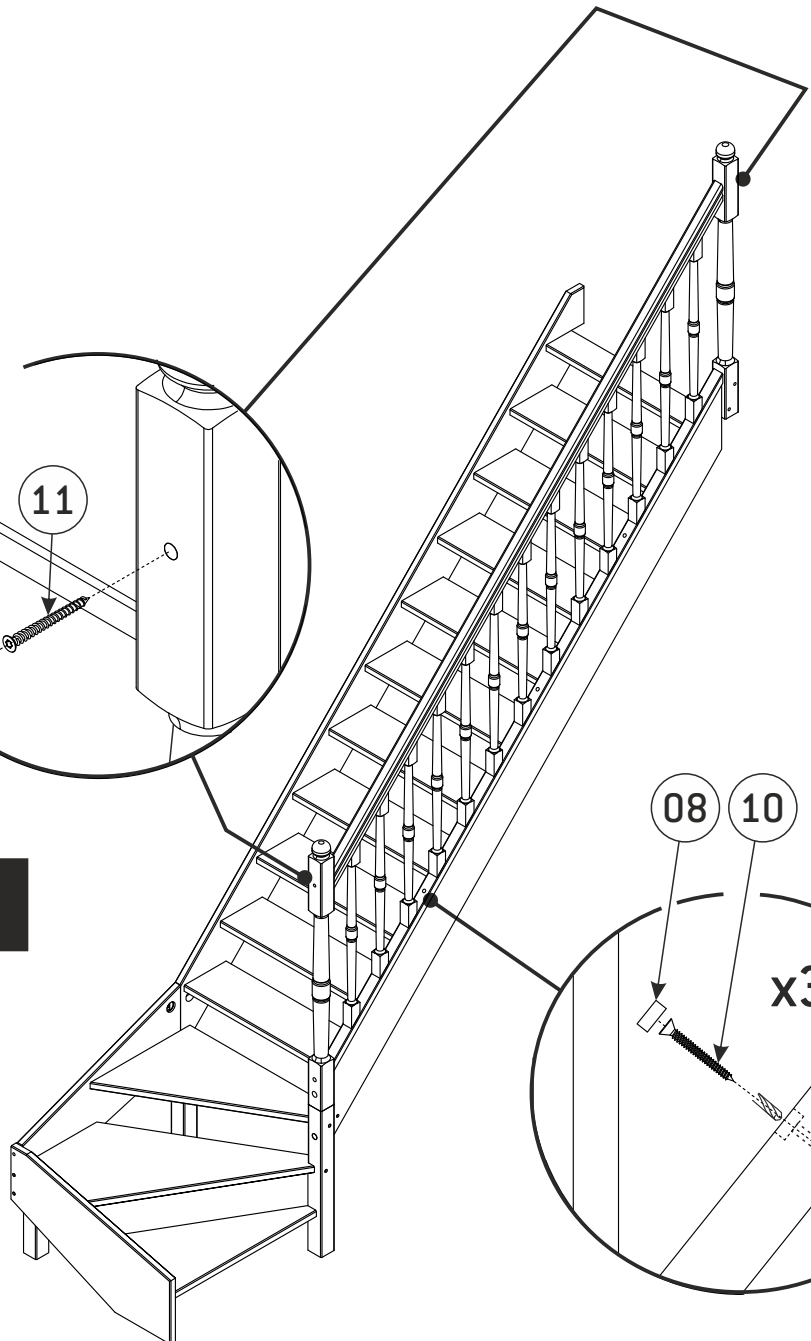


x2

08

11

7



08

10

x3

012

04